

TEMPERATURE SWITCHES



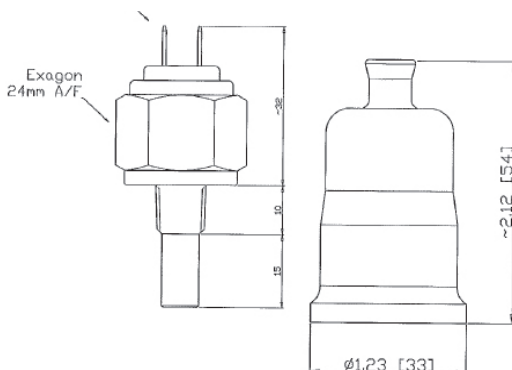
| Technical Data | |
|------------------------|---|
| Housing Material | Brass |
| Electrical Connection | Silver Plated |
| Electric Rating | 240V AC- 5A (Resist) 24V dc- 6A (Resist) |
| Protection | IP54 with Rubber Boot |
| Environmental | -20 to + 130C |
| Probe | 15mm with 1/8" NPT Male Thread |
| Terminals | Spade, c/w Rubber Boot |
| Maximum Probe Pressure | 1000psi (69bar) |

The **GTS Temperature Switches** are a welcome addition to our switch range. The construction material is brass and has two spade terminals, with pre-set switching in either N/O or N/C switch position.

The switch has a 15mm x 7.8mm probe with an 1/8" NPT male thread, making it extremely versatile for many applications with the addition of one of the available adapters.

Each switch comes complete with a rubber boot, giving the switch increased protection.

| Available Ranges & Part Numbers | |
|---------------------------------|---|
| GTSTS-050-NC-15mm | Switch Point 50degC Normally Closed, 1/8" NPT- with boot |
| GTSTS-050-NO-15mm | Switch Point 50degC Normally Open, 1/8" NPT- with boot |
| GTSTS-060-NC-15mm | Switch Point 60degC Normally Closed, 1/8" NPT- with boot |
| GTSTS-060-NO-15mm | Switch Point 60degC Normally Open, 1/8" NPT- with boot |
| GTSTS-070-NO-15mm | Switch Point 70degC Normally Open, 1/8" NPT- with boot |
| GTSTS-075-NC-15mm | Switch Point 75degC Normally Closed, 1/8" NPT- with boot |
| GTSTS-075-NO-15mm | Switch Point 75degC Normally Open, 1/8" NPT- with boot |
| GTSTS-080-NO-15mm | Switch Point 80degC Normally Open, 1/8" NPT- with boot |
| GTSTS-085-NC-15mm | Switch Point 85degC Normally Closed, 1/8" NPT- with boot |
| GTSTS-095-NC-15mm | Switch Point 95degC Normally Closed, 1/8" NPT- with boot |
| GTSTS-095-NO-15mm | Switch Point 95degC Normally Open, 1/8" NPT- with boot |
| GTSTS-105-NC-15mm | Switch Point 105degC Normally Closed, 1/8" NPT- with boot |
| GTSTS-105-NO-15mm | Switch Point 105degC Normally Open, 1/8" NPT- with boot |
| GTSTS-115-NC-15mm | Switch Point 115degC Normally Closed, 1/8" NPT- with boot |
| GTSTS-125-NC-15mm | Switch Point 125degC Normally Closed, 1/8" NPT- with boot |



| Adapters | |
|----------|--------------------------------------|
| V320.050 | Brass 1/8" NPT Female- 1/4" NPT Male |
| V320.051 | Brass 1/8" NPT Female- 3/8" NPT Male |
| V320.052 | Brass 1/8" NPT Female- 5/8" UNF Male |
| V320.053 | Brass 1/8" NPT Female- 1/2" NPT Male |
| V320.054 | Brass 1/8" NPT Female- M14 Male |
| V320.055 | Brass 1/8" NPT Female- M16 Male |
| V320.056 | Brass 1/8" NPT Female- M18 Male |

GTS Gauges Transmitters Switches Pty Ltd
6 Dayana Close
Midvale WA 6056

Ph 08 9250 4400
Fax 08 9250 4500
sales@gtsgauges.com.au www.gtsgauges.com.au